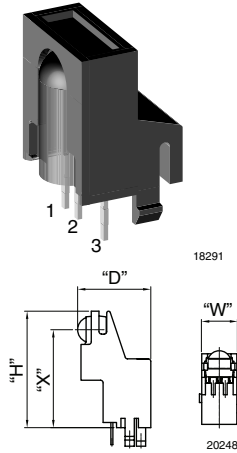


IR Receiver Modules for Remote Control Systems


FEATURES

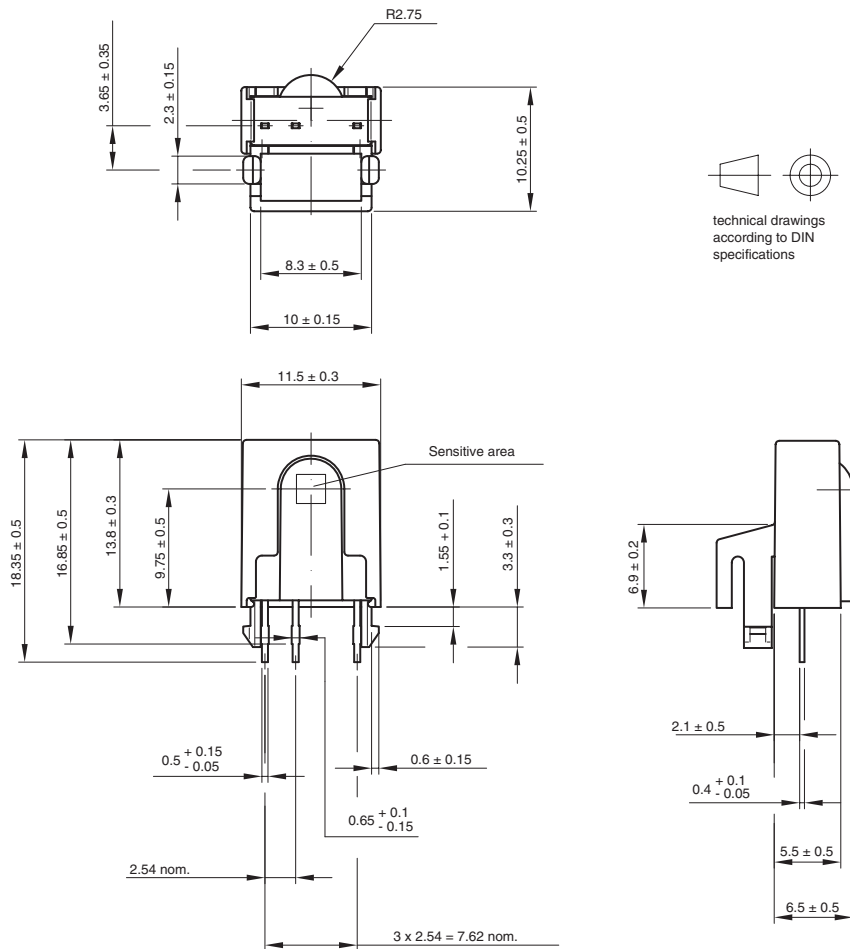
- Compliant to RoHS directive 2002/95/EC and in accordance to WEEE 2002/96/EC


AVAILABLE FOR:

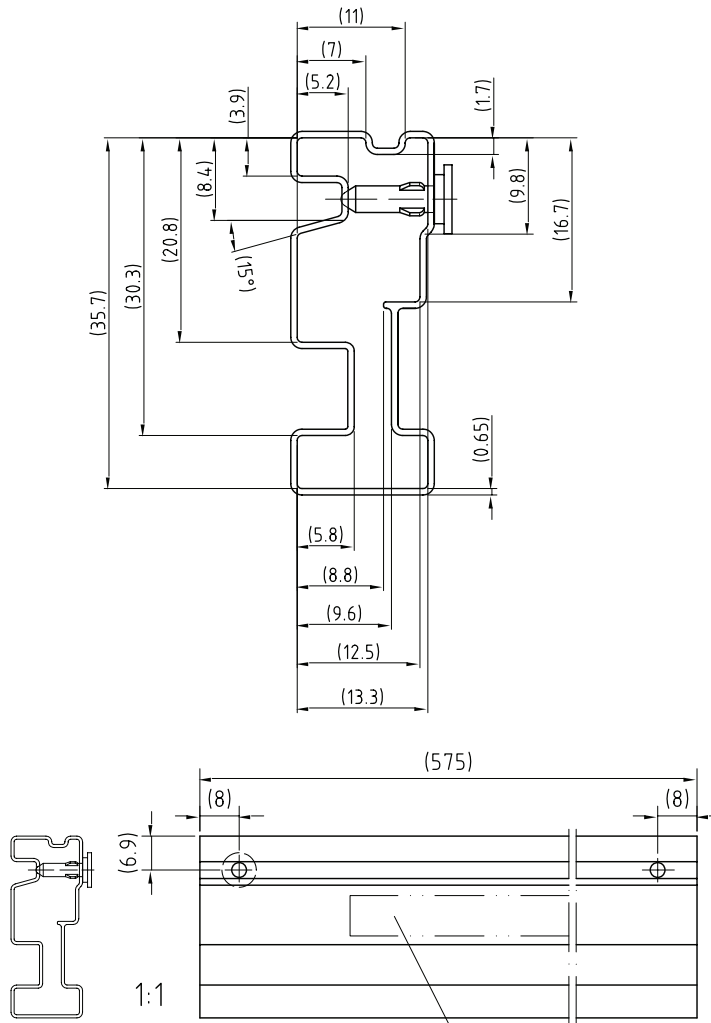
- TSOP31...
- TSOP1...


RoHS
COMPLIANT

NAME	LENS AXIS (X)	VIEW	TYPE	HEIGHT (H)	WIDTH (W)	DEPTH (D)
KD1	9.75	Side	Holder	13.8	11.5	11.25

MECHANICAL DIMENSIONS in millimeters

 Drawing-No.: 6.550-5098.02-4
 Issue: 5, 04.08.09
 20369

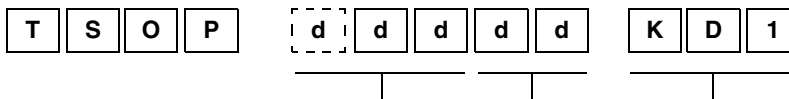
PACKAGING DIMENSIONS in millimeters



Drawing-No.: 9.700-5155.0-4
 Rev. 6; Date: 20.11.03
 20308-1

Druck / Printing for tubes
 1.400-5548.0-3 Version 1

ORDERING INFORMATION



2 or 3 digit product series 2 digit frequency Holder type

Note

d = "digit", please consult the list of available series on the previous page to create a valid part number.

Example: TSOP31238KD1

PACKING QUANTITY

- 48 pieces per tube
- 18 tubes per carton